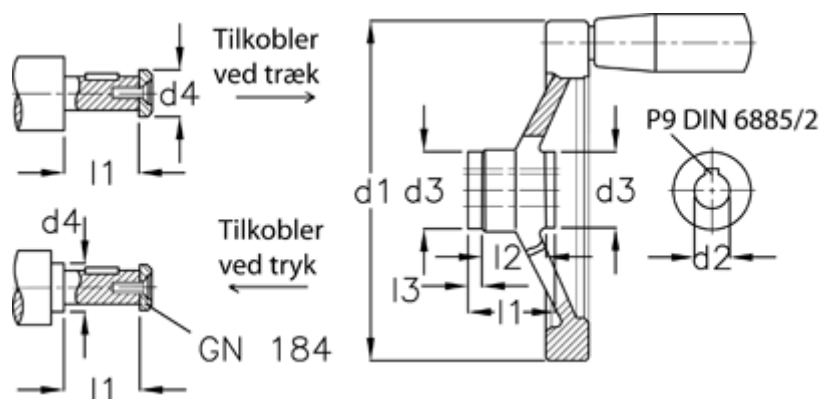


Article number: 20370341

Description: E+G Handwheel
GN 321.4-250-K22-D-ZI

Measures



d1	= 250
d2 H7	= 22
d3	= 45
d4 max	= 30
l1	= 47.5
l2	= 28
l3	= 12